

CN3313

Three-Channel 6th-Order Standard Definition Video Filter Driver

Features

- Triple 6th-order 9.0MHz SD filters
- Drive Dual Video Load
- 6dB Output Driver Gain
- Transparent Input Clamping
- AC or DC Coupled Inputs
- AC or DC Coupled Outputs
- Operates from 3.3V to 5.5V

Applications

- Cable set-top boxes
- Satellite set-top boxes
- DVD Players
- Personal Video Recorders
- Communications Devices
- Video on Demand

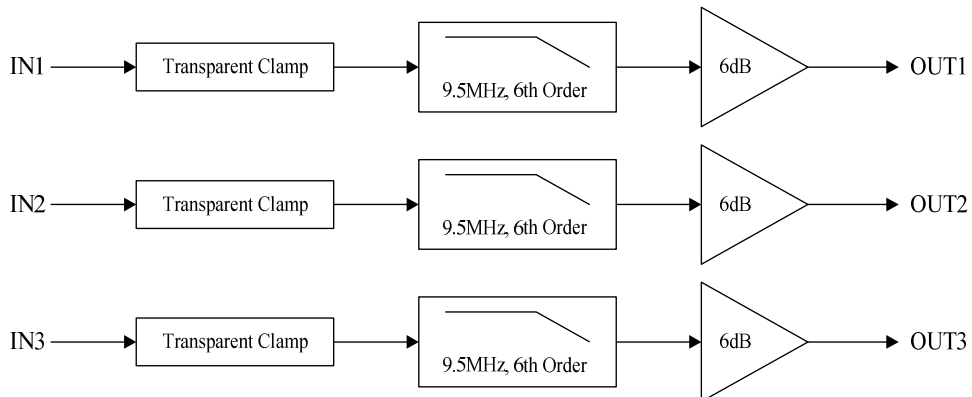
Description

The CN3313 low voltage, triple video filter is intended to replace passive LC filter and drivers with a low-cost integrated device. The 6th order filter provides much improved image quality compared to typical 2nd or 3rd order passive LC filters. The filters are especially suited for standard definition video signals, such as television and set-top box applications.

The CN3313 can be directly driven by a DC coupled DAC output or an AC coupled signal. Internal diode clamps and bias circuitry may be used if AC-coupled inputs are required.

The output can drive AC or DC coupled single (150 Ω) or dual (75 Ω) loads. DC coupling the outputs removes the need for output coupling capacitors.

Functional Block Diagram

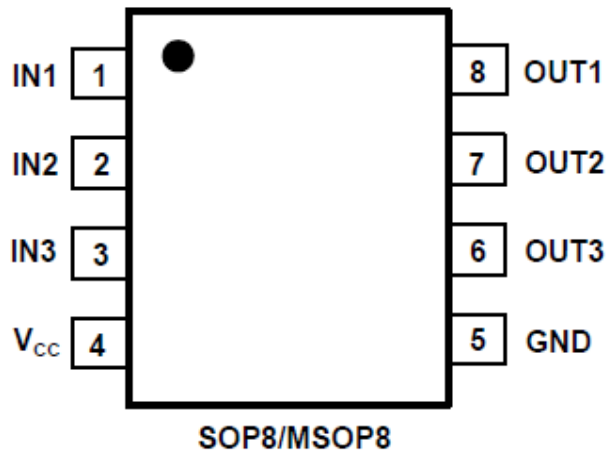


CN3313

Ordering Information

Order Part Number	Top Marking	Pb-Free	T _A	Package	
CN3313SO8		Yes	-40 to +125°C	SOIC8	Tape & Reel, 3000
CN3313MP8		Yes	-40 to +125°C	MSOP8	Tape & Reel, 3000

Pin Configuration



Pin Description

Pin Name	Pin Number	Description
IN1	1	Video input, Channel 1
IN2	2	Video input, Channel 2
IN3	3	Video input, Channel 3
VCC	4	Power Supply
GND	5	Ground
OUT3	6	Filter output, channel 3
OUT2	7	Filter output, channel 2
OUT1	8	Filter output, channel 1